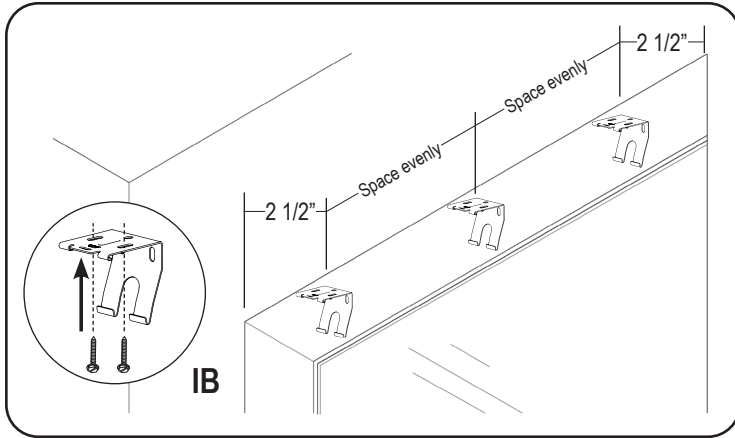


1. Install the Brackets

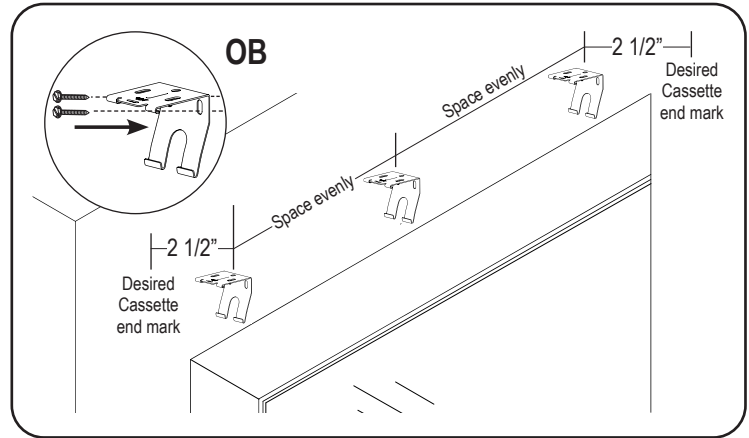
Medium and Large Cassette

Important: Make sure the mounting surface is level. Brackets must be in line and level for shade to operate properly.



Inside Mount IB:

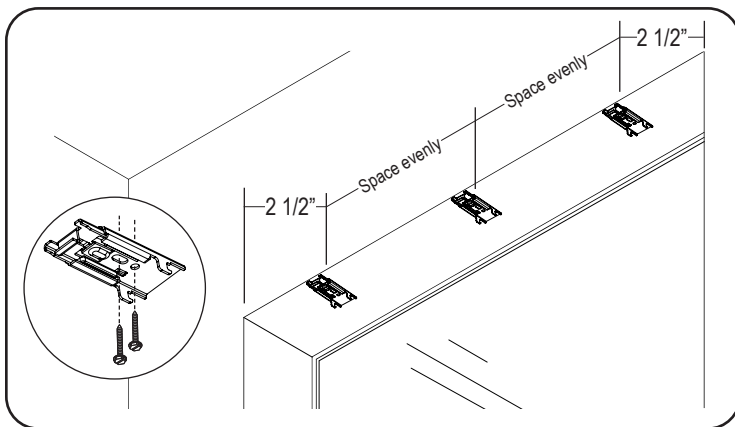
- Measure 2 1/2" inward from each side of the window frame.
- Using the screws provided, install the brackets leveled and aligned to each other.
- If applicable, evenly space out additional brackets between the brackets on both ends.
- See "IB" image above.



Outside Mount OB:

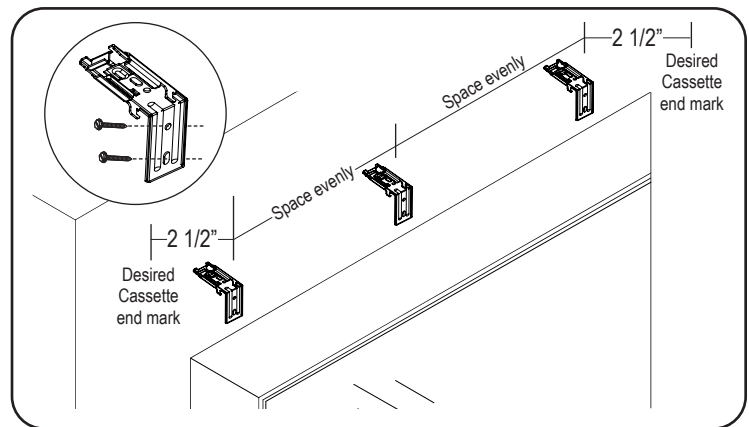
- Center the shade over the window opening at the desired height & width.
- Mark the location of the "Desired Cassette end mark" on both ends of the cassette.
- Measure 2 1/2" inward from the "Desired Cassette end marks" for the location of the brackets. If applicable, evenly space out the additional brackets between the brackets on both ends.
- Using the screws provided, install the brackets leveled and aligned to each other.
- See "OB" image above.

Square Cassette



Inside Mount IB:

- Measure 2 1/2" inward from each side of the window frame.
- Using the screws provided, install the brackets leveled and aligned to each other.
- If applicable, evenly space out additional brackets between the brackets on both ends.
- See "IB" image above.



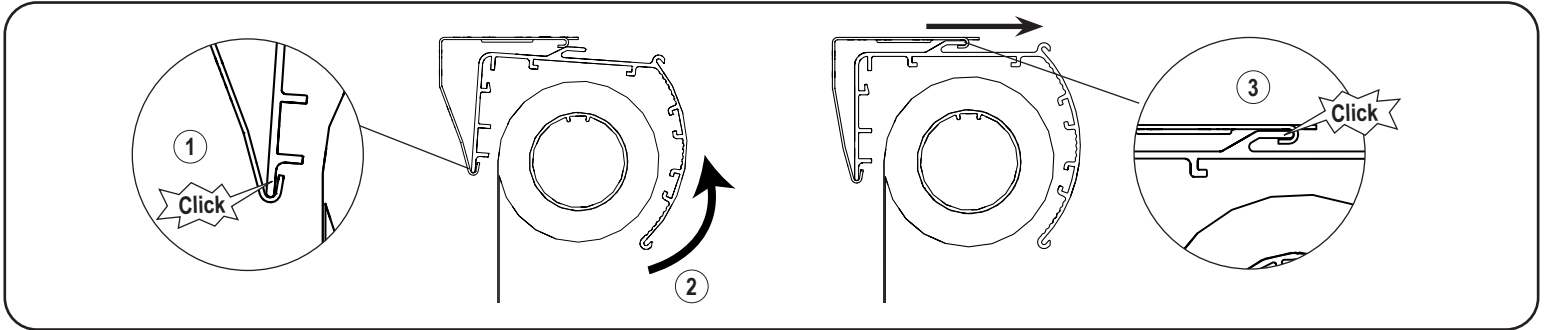
Outside Mount OB:

- Center the shade over the window opening at the desired height & width.
- Mark the location of the "Desired Cassette end mark" on both ends of the cassette.
- Measure 2 1/2" inward from the "Desired Cassette end marks" for the location of the brackets. If applicable, evenly space out the additional brackets between the brackets on both ends.
- Using the screws provided, install the brackets leveled and aligned to each other.
- See "OB" image above.

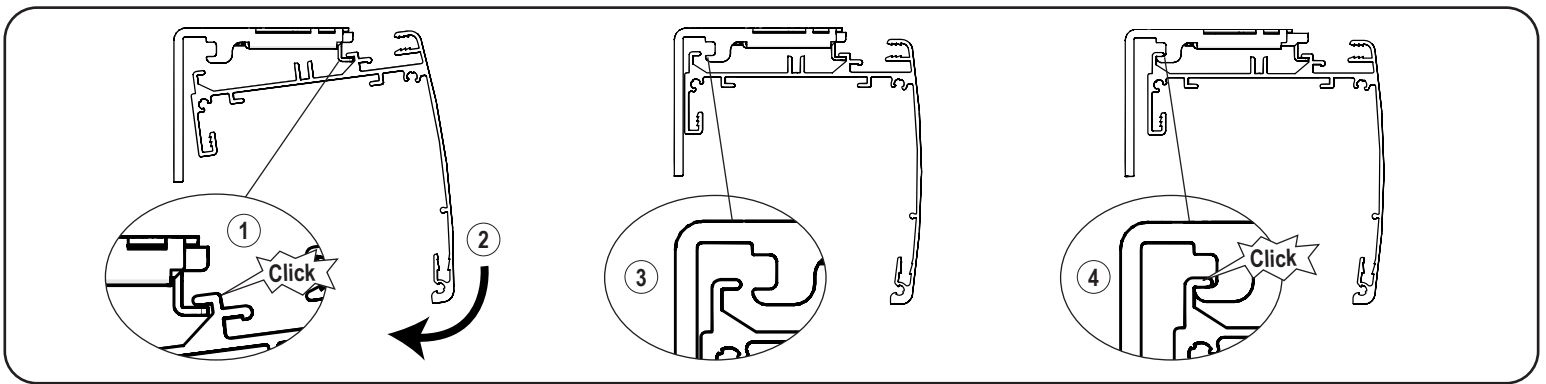
INSTALLATION INSTRUCTIONS

2. Install the Shade

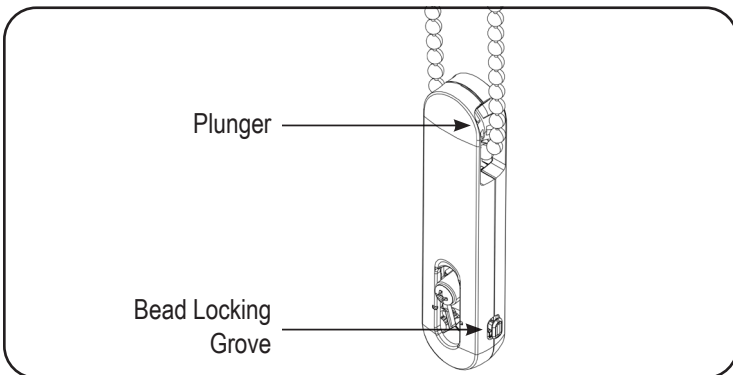
Medium and Large Curved Cassette



Square Cassette



3. Continuous Loop Control - Installation for Tensioner

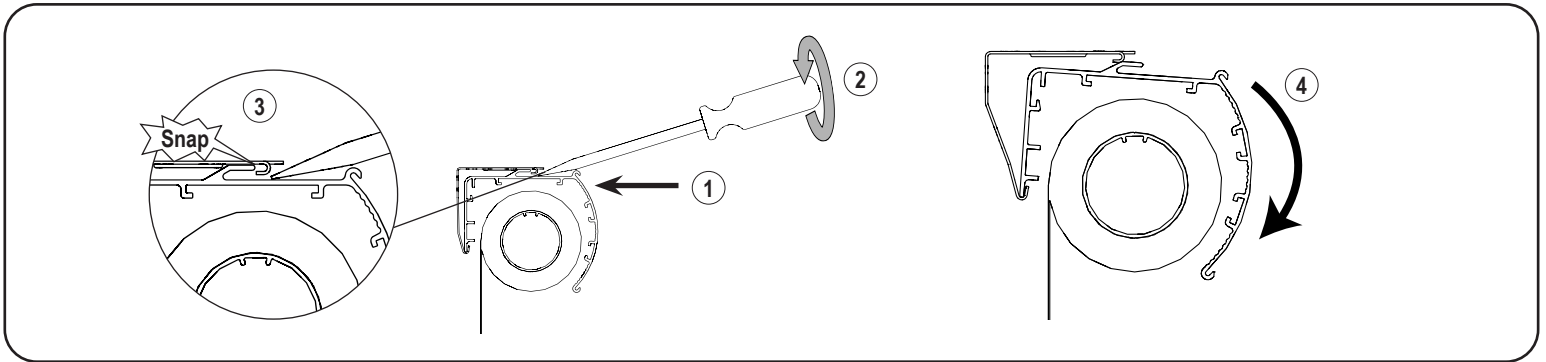


NOTE: For the shade to operate properly, the tensioner must be correctly mounted and secured.

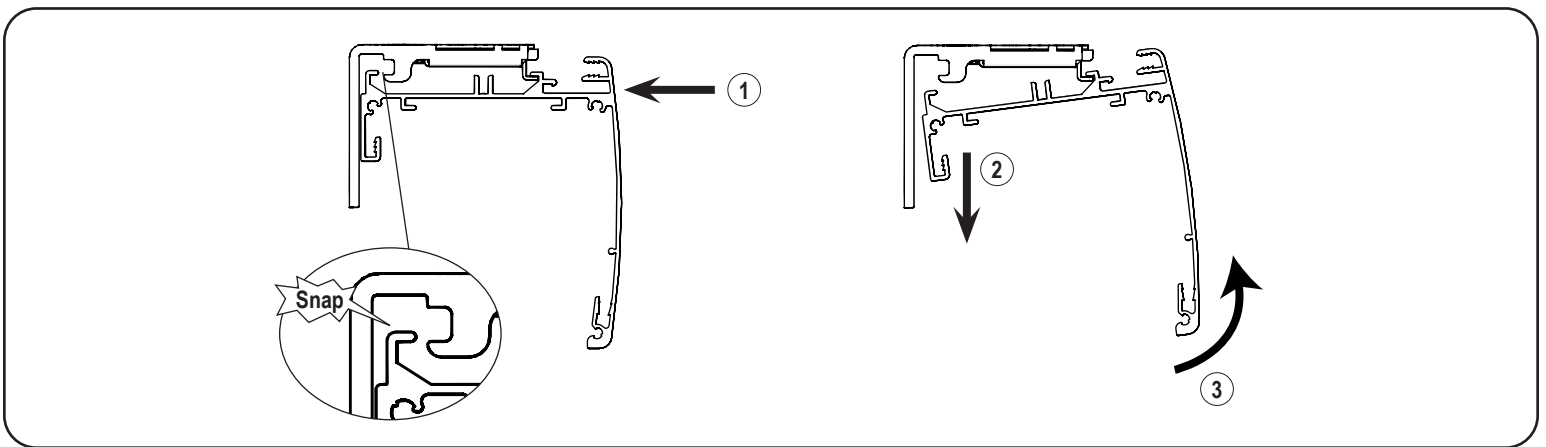
[Click this link](#) to refer to the Installation Instructions for the Bead Chain Loop, Universal Cord Tensioner

4. Removing the Shade (Only if Necessary)

Medium and Large Cassette



Square Cassette



Child Safety

Young children can **STRANGLE** in cord loops and in the loop above the cord stop. They can also wrap cords around their necks and **STRANGLE**.

- Always keep cords out of children's reach.
- Move cribs, playpens and other furniture away from cords.
Children can climb furniture to get to cords.
- Do not tie cords together.
- Make sure cords do not twist together and create a loop.

⚠ WARNING ⚠ ADVERTENCIA	
Window Blind Cord Strangulation Risk Window Blinds with a damaged or loose tension device or retractable cord that fails to fully retract pose a strangulation risk to children. To avoid this potential strangulation risk, consider purchasing cordless products or products with inaccessible cords.	
Riesgo de Estrangulamiento en Cuerdas de Persianas Las persianas con un dispositivo tensor suelto o dañado o con una cuerda retractable que no se ajusta completamente representan un riesgo de estrangulación para los niños. Para evitar un posible riesgo de estrangulamiento, considere comprar productos inalámbricos o productos con cuerdas inaccessibles.	

