

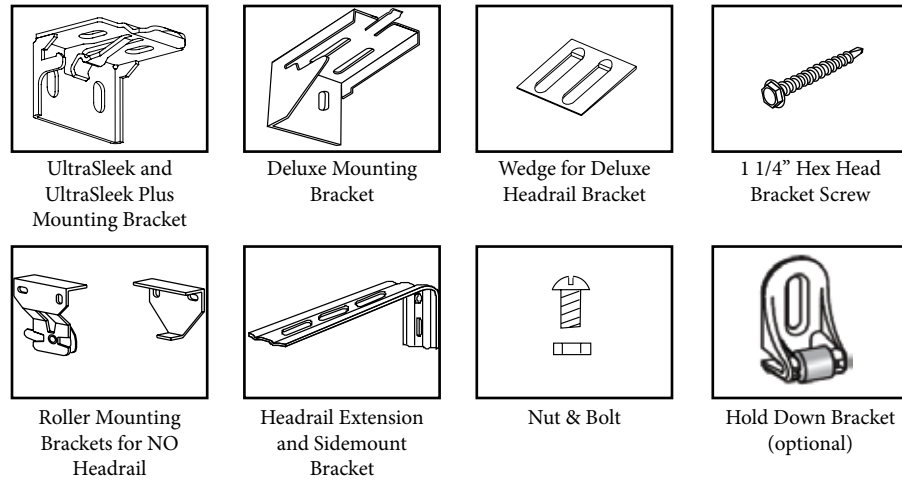
Getting Started

Please take a moment to identify which headrail version you have and then follow the appropriate instructions.

A few simple tools are required:

- Measuring tape
- Carpenters Level
- Power drill or Phillips head Screwdriver
- 1/4" Hex head and/or Phillips driver bit

Additional fasteners other than those sent with your shading may be required depending on the mounting surface. Wallboard and plaster require the use of anchors such as expansion or toggle bolts. Brick, tile or stone need special plugs and drill bits. Remember to always pre-drill holes in wood to avoid splitting.



Step 1: Bracket Installation

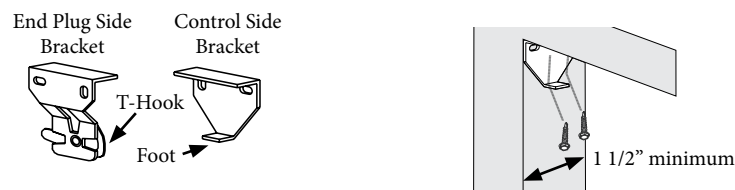
MAKE SURE MOUNTING SURFACE IS LEVEL

If the headrail does not sit level, the fabric will not roll up evenly which could damage the edges of the shading fabric. Use shims if necessary to level brackets.

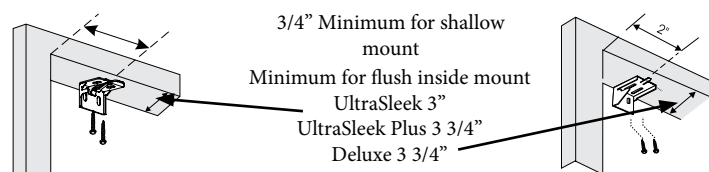
Shade Width	# of Brackets
Up to 40"	2
>40" - 72"	3
>72" - 84"	4
>84" - 114"	5

INSIDE MOUNT

No-Headrail



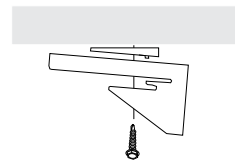
UltraSleek & UltraSleek Plus



Deluxe

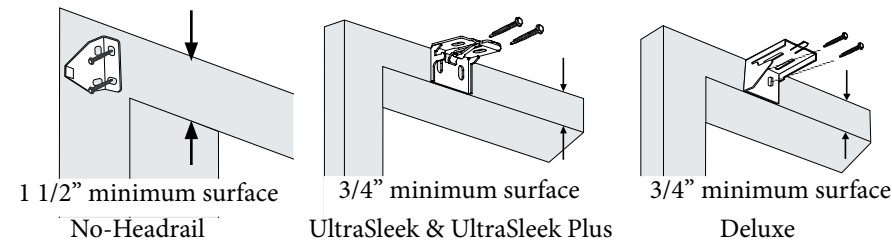
Use shims if necessary to ensure that the headrail is mounted level.

FULLY RECESSED INSIDE MOUNT (Deluxe Bracket Only)



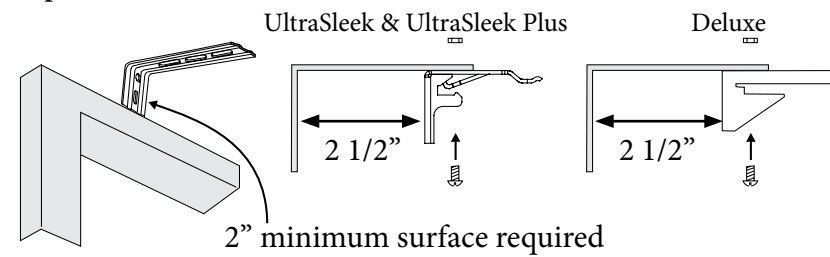
Low light gap wedges can be used to reduce the top light gap when the shade is mounted fully recessed. The wedge is placed between the mounting surface and the bracket with the tabs on the wedge facing down and the thick end of the wedge toward the back of the bracket.

OUTSIDE MOUNT



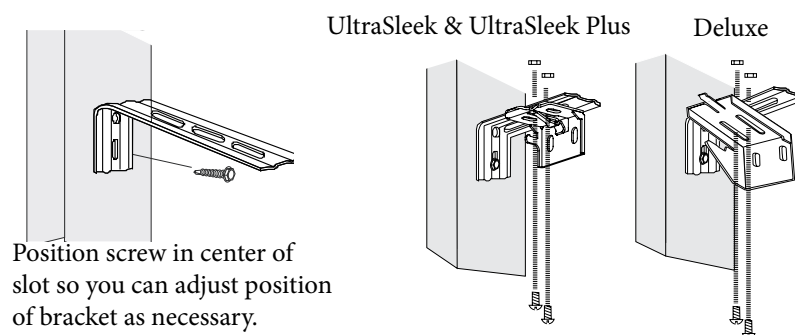
EXTENSION BRACKETS (optional for headrail shades)

Optional Extension Brackets are used to project the back of the shading up to 2 1/2" from the mounting surface. Attach the Ultra Sleek or Deluxe Mounting Bracket to the Extension Bracket with the nut and bolt provided.



SIDE MOUNT (optional for headrail shades)

Measure from window sill up to desired mounting position on each side of the window frame. Mark position. Mount Side Mount Brackets on each side of window frame as shown. Make sure to confirm that headrail will sit perfectly level. Once Side Mount Brackets are installed and properly positioned, attach the Ultra Sleek or Deluxe Mounting Brackets using the nuts and bolts provided.



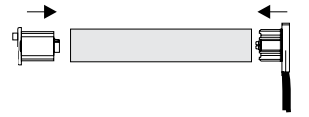
Position screw in center of slot so you can adjust position of bracket as necessary.

Step 2: Hanging the Shade

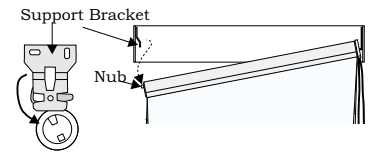
No-Headrail

Once the brackets are secured and level, the fabric roll can be inserted. Make sure your hands are clean to avoid soiling the fabric.

While facing the inside of the shade, be sure the clutch and roller end plug are inserted into the roller. Hold the shade with the bottom of the clutch facing the floor, and the beaded cord hanging straight down.

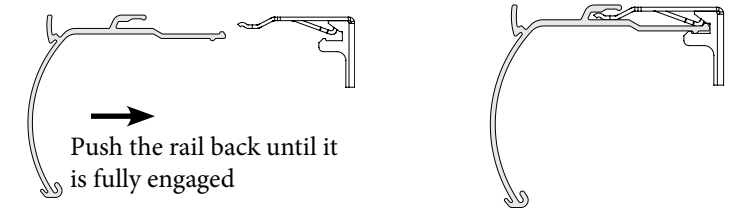


Insert the foot of the control-side bracket into the slotted center hole of the clutch. Set nub of the end plug into the V of the support bracket.

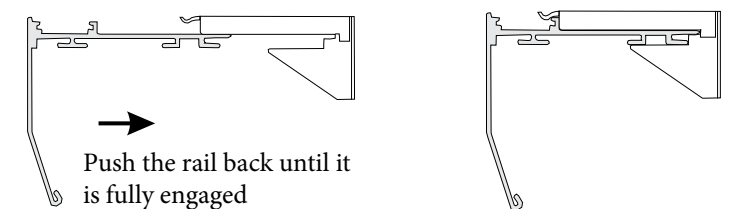


Rotate the T-hook on the support bracket to engage over the nub on the idler and secure the fabric roll.

UltraSleek & UltraSleek Plus

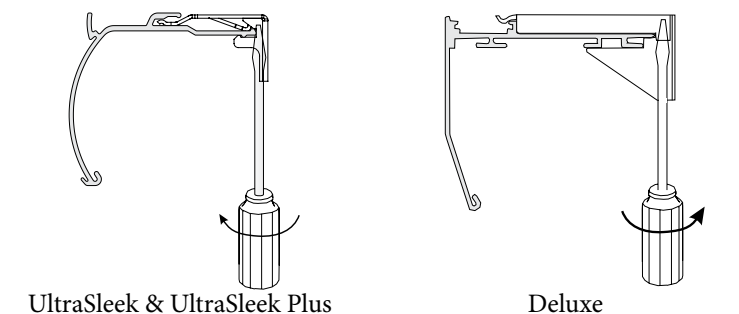


Deluxe Rail



Headrail removal

To remove the shading, partially lower the shading and insert a flat head screwdriver as shown. Twist the screwdriver until the headrail disengages from the bracket.

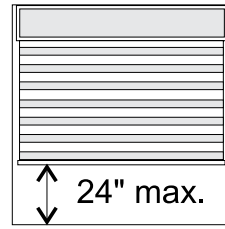


UltraSleek & UltraSleek Plus

Deluxe

Step 3: Operation

Pulling down on the back cord will lower the shading. When the window shading is completely lowered, pulling down on the back cord will open the vanes. Continued pulling in this direction will raise the fabric with the vanes in the open position. The window shading must only be raised a maximum of 24" in this manner to avoid damaging the fabric.

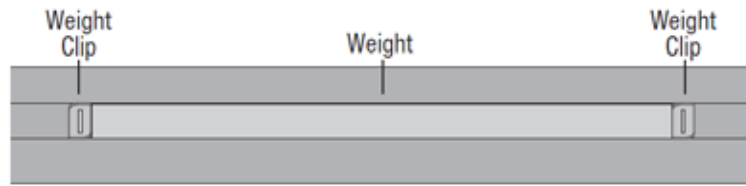


Pulling down on the front cord will close the vanes and then raise the shading.

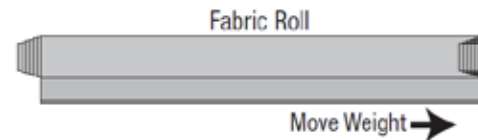
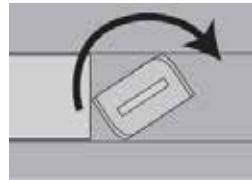
Skew Adjustment

If the fabric is moving to one side as the shade is raised up (skewing), first check that the installation brackets are level. Shim to level, if necessary. If the brackets are level it may be necessary to adjust the bottom rail weight.

- To release the weight clip, insert a flat blade screwdriver into the weight clip and turn clockwise.



- Move the weight in 1" increments toward the side where the fabric is gathering.
- Secure the weight clips in position by turning them counterclockwise after making the adjustment.
- Test and, if necessary, adjust again.

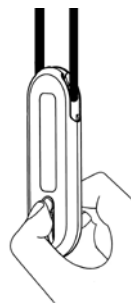


Step 4: Child Safety

The American National Standard for Safety of Corded Window Covering Products (ANSI) requires the use of a cord tie down (cord tensioner) on all continuous loop cord systems. The use of such a device is intended to significantly reduce the occurrence of infant or small child strangulation injuries or deaths resulting from the looped pull cords on various window treatment products.

Cord Tensioner Installation

Your window shade has arrived with the cord tensioner positioned near the head rail to comply with current WCMA child safety standards. The cord tensioner must be mounted and secured before the window shade will operate correctly. To position the tensioner, grasp the screw hole and pull down to release the lock. Pull the cord through the tensioner until the tensioner is at the bottom of the cord loop.



Follow the instructions included in the Tensioner Bracket Packet.

Step 5: Hold Down Installation (optional)

Lower the shading, keeping the vanes closed.

- Place the magnetic hold-down bracket onto the bottom rail just inside the end cap, oriented as shown.
- Hold the bracket while opening and closing the vanes (it may be necessary to have someone assist you). Adjust the bracket to the best overall position.
- Mark the screw location using the mounting options shown below.



Outside Mount



Preferred



Alternate

Inside Mount



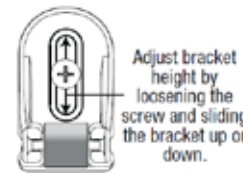
Preferred



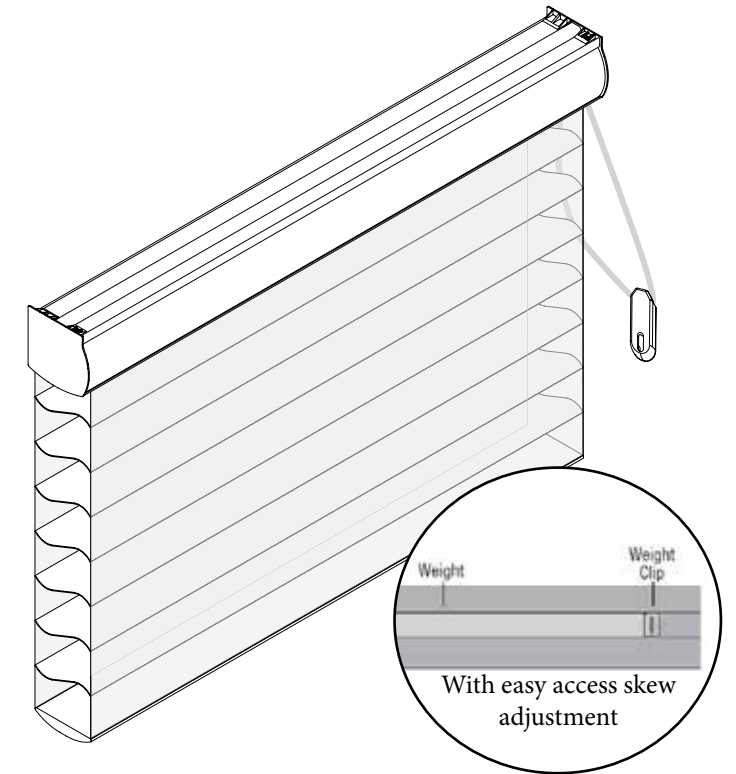
Alternate

The screw should be placed in the middle of the slot. This will allow for adjustment.

- Drill the screw holes using a 3/32" drill bit. IMPORTANT: Use drywall anchors when mounting into drywall.
- Attach the hold-down brackets to the mounting surface using the screws provided.
- If necessary, adjust bracket height by loosening the screw and sliding the bracket up or down.



Sheer Horizontal Window Shadings



Installation Instructions

Sheer Horizontal Window Shadings represent a design breakthrough in style, efficiency and function. The unique fabric structure and hardware system are designed to provide years of reliable service when properly installed. Please take a few minutes to read through these instructions before beginning.