



## **INSTALLATION INSTRUCTIONS *The Absolute Sliding Panel System - Roller Shades, Natural Rollers and Natural Shades***

*Thank you for purchasing the Absolute Sliding Panel track system. With proper installation your shade will look beautiful and provide years of service. Please check all parts and read these instructions before starting installation. Please keep the packaging until you have installed your shade and are satisfied with it.*

### **TOOLS THAT MAY BE REQUIRED:**

*Pencil, Tape Measure, Screw Driver, Step Stool, Level, and Drill*

*NOTE: For wallboard or plaster, use anchors designed for hollow walls (not included). For concrete, stone or brick, use a masonry drill bit and anchors.*

### **Sliding Panel Shipments**

*Sliding Panel Systems come packed together in two parts:*

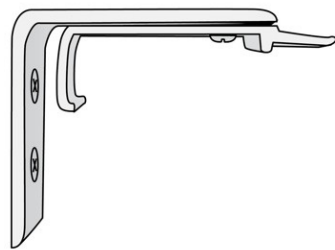
- *Panels (attached to carriers)*
- *Tracks, Wand & Installation hardware*
- *If you ordered a Box Valance, this will ship separately from the track and panels.*

### **Spliced Tracks**

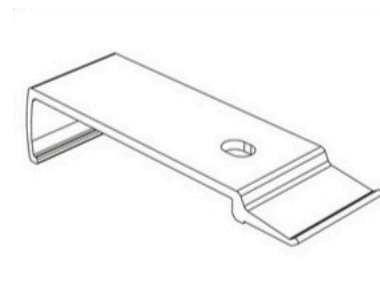
*If you ordered a sliding panel wider than 94 inches, the track will ship in two pieces with a connector bracket to join the two halves. The tracks will be wrapped together, and the connector (or splice) bracket will be packed with the installation hardware.*

## **INSTALLING YOUR SLIDING PANEL SYSTEM**

### **STEP 1: INSTALL BRACKETS.**



**FIGURE: Wall or Face Mount Brackets**



**FIGURE: Top Mount Brackets**



**For WALL or FACEMOUNT applications, you will be provided wall-mount L-brackets to attach the track brackets to the wall.**

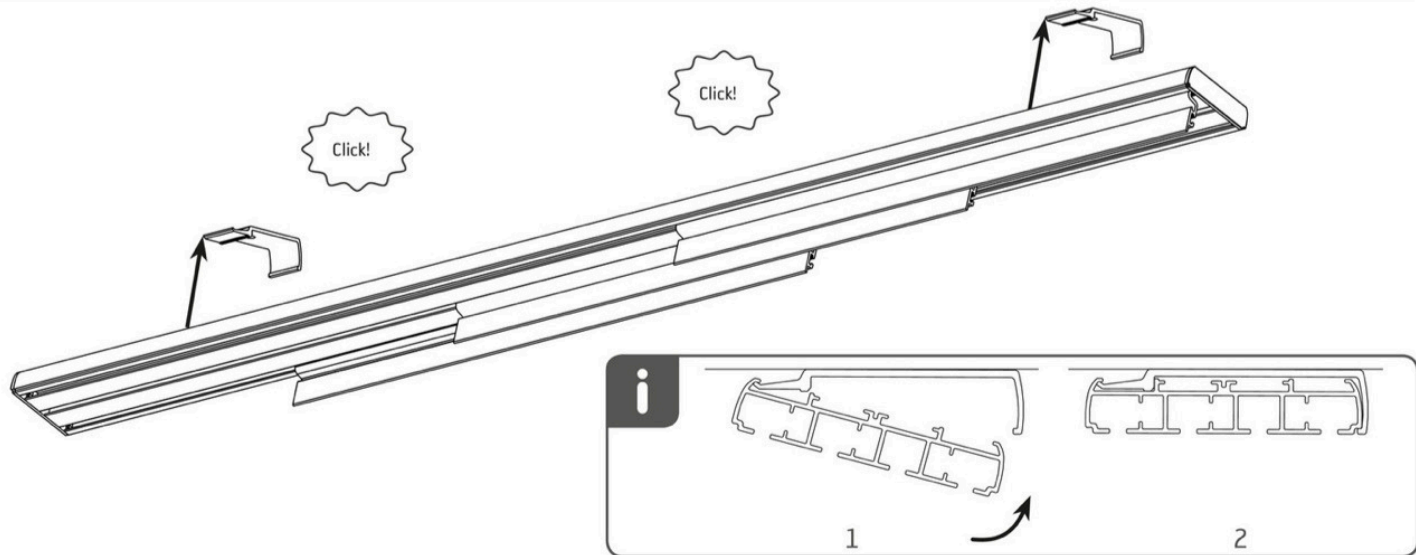
**For TOP MOUNT applications, you will install the bracket directly to the mounting surface.**

**BE SURE TO USE ALL INSTALLATION BRACKETS THAT ARE PROVIDED.**

## **INSTALLING YOUR SLIDING PANEL SYSTEM CONTIN.**

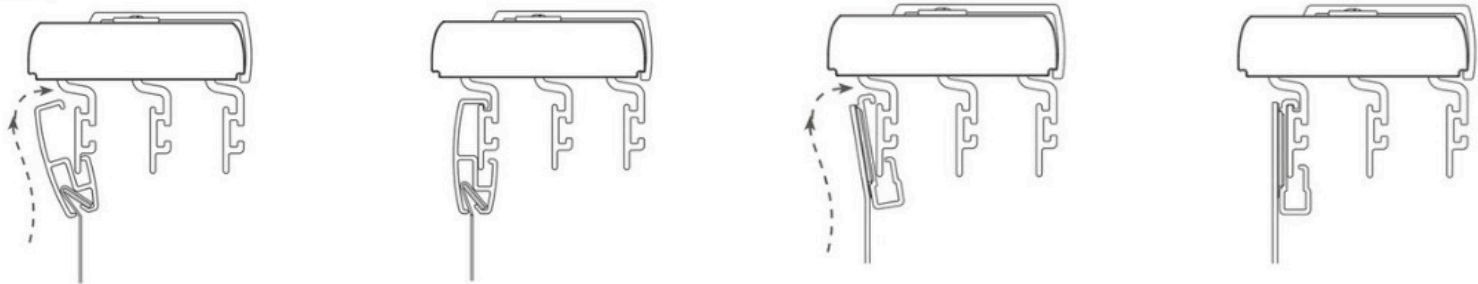
### **STEP 2: INSTALL TRACK.**

**Hook the front lip of the track on to the end of the bracket. Rotate the back of the track up – towards the mounting surface– the rounded back of the track will audibly “CLICK” into the bracket.**



### **STEP 3: INSTALL PANELS.**

- **Your fabric panels will come attached to the carriers. To install the carriers to the track, align the panel carrier with the runner in the track. Tilt the top of the carrier towards you and slot the bottom of the runner into the back of the carrier. Slightly tilt the top of the carrier away from you (towards the track) to hook the shelf at the top of the runner.**

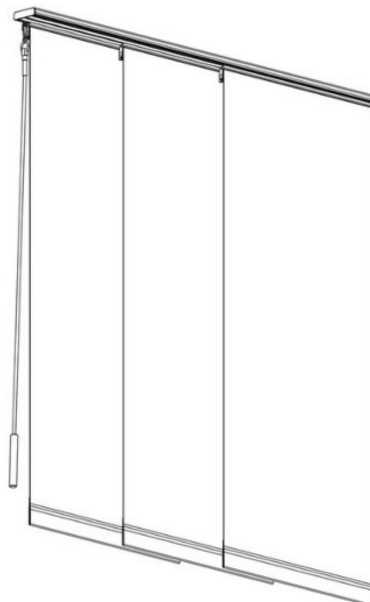


**FIGURE 3: ROLLER AND NATURAL ROLLER SHADE PANELS ATTACH WITH AN ALUMINUM TOP RAIL TO THE RUNNER**

**FIGURE 4: NATURAL SHADE PANELS ATTACH WITH VELCRO TO RUNNER**

### **STEP 4: INSTALL WAND**

- **The wand easily installs with a lanyard clip to the eyelet on the first panel.**



**FIGURE 5: FULLY INSTALLED ABSOLUTE SLIDING PANEL**