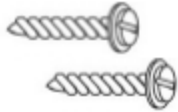


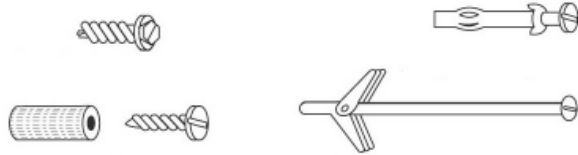
Please follow these Installation Instructions for inside mount.

You will need a pencil, tape measure, drill, screwdriver, pliers, and appropriate fasteners.

Step 1: Choose the Correct Fastener



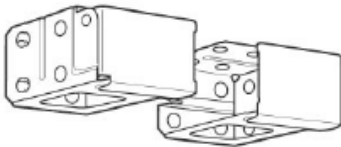
**1 1/4 " #8 Hex Head
Wood Screws (Included)**



Alternative fasteners should be used for aluminum or concrete installations

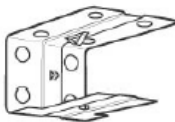
(Not Included with Blinds)

Step 2: Prepare Brackets



End Box Installation Brackets

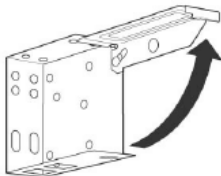
Left and right brackets only required for blinds up to 49" W



Center Support

Use 1 Center Support for 49 1/8" W – 72 7/8" W

Use 2 Center Supports for Blinds 73" W and greater



Open the front of the bracket by pressing on the bottom of the bracket to release the locking tab while lifting the front gate.

Step 3: Mark the Bracket Locations

Position the box brackets at each end of the headrail.

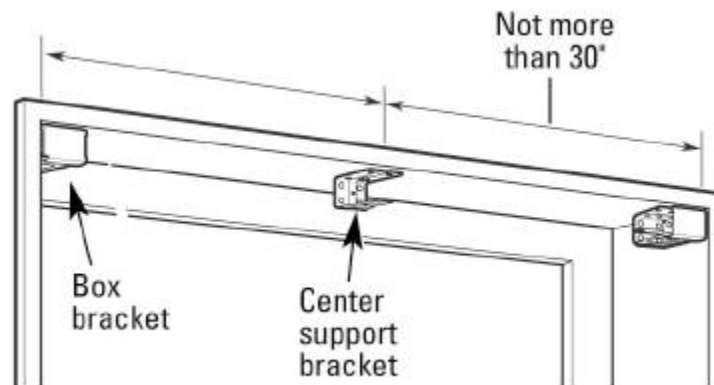
Make sure the brackets will not interfere with the cord mechanism or any other parts.

Lift the headrail to the top of the window opening, away from the window glass and mark the location of the desired bracket mounting holes. Make sure they are square and equally spaced.

Depending on the installation location, box brackets can be attached using the top, back, or side holes.

When using a single center support bracket, center it between the box brackets. For more than one center support bracket, space the support brackets evenly, not more than 30" apart.

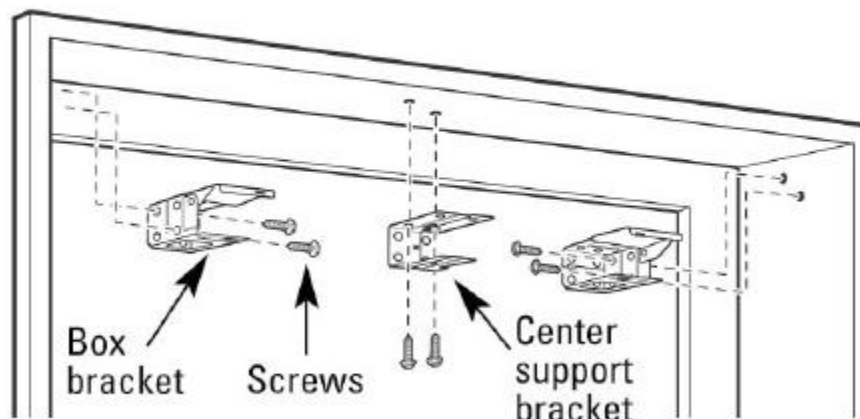
Remember center brackets are only used for blinds 49" or wider.



Step 4: Bracket Installation

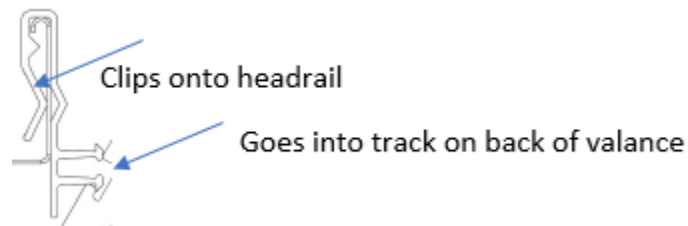
(For Inside Mount Installations)

Screw brackets in window frame as shown.

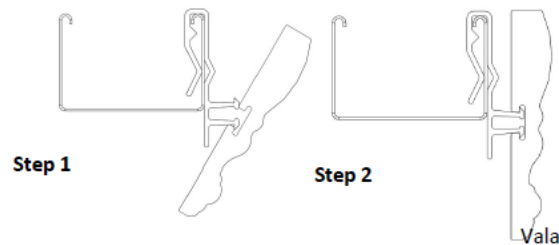


Step 5: Valance Installation

Attach the loose plastic valance clips to the front of the headrail, spacing them evenly. Make sure you are not attaching them to any of the mechanisms inside the headrail.



Press the bottom of the front of the plastic clip to the valance at an angle (Step 1). Tip the valance up to snap the top and bottom of the plastic clips together. (Step 2)



If you received returns with your valance, you will also have small L shaped plastic brackets.



One end goes into the channel on the back of the return and one end goes into the channel on the valance to attach them together.

2" Faux Wood Cordless Blinds Inside Mount Installation Instructions

Step 6: Blind Installation

Align the headrail with the center support (if any) and box brackets.

Make sure the lifting and tilt mechanisms are facing toward the room not the window.

Slide the headrail straight back until it is snug in the brackets, being careful not to trap the top slat in the brackets.

If the headrail can slide from side to side in the box brackets, you can use a flat head screwdriver to bend out the tabs on the end until it is snug.

Step 7: Test the Blind Operation

Ensure the tilting wand tilts the blinds up and down.

Ensure lifting in the center of the bottom rail raises and lowers the blinds all the way up and down.