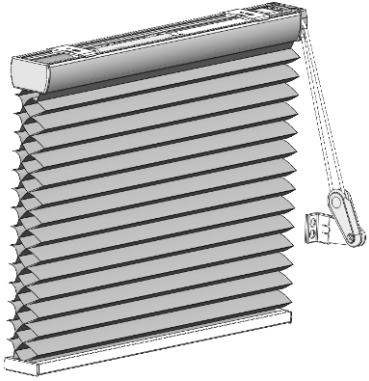
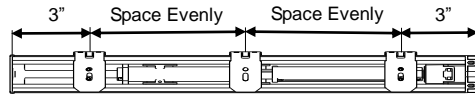


Installation Instructions

Honeycomb Shades Continuous Cordloop

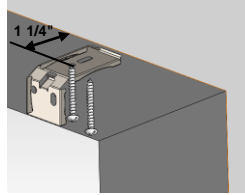


Measure 3" from both ends of the head rail. Mark bracket location on the mounting surface.



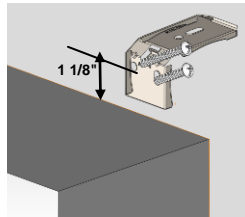
Inside Mount

- Use level to align the brackets. For flush mount, allocate 1 1/4" from wall to the center of screws.
- Use #8 1 1/4" mounting screws to secure brackets. **Use wall anchors for drywall or plaster wall.**

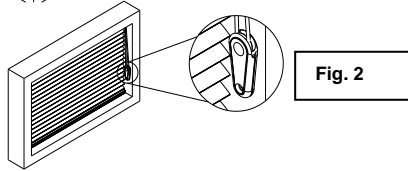
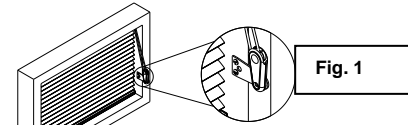


Outside Mount

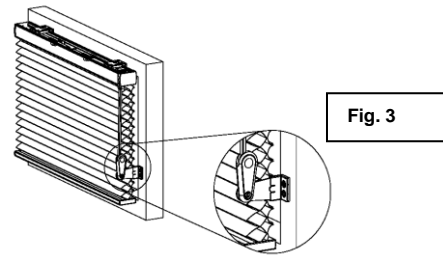
- Use level to align the brackets. Allocate a minimum distance of 1 1/8" from wall to the center of screws.
- Use two mounting screws to attach each bracket. **Use wall anchors for drywall or plaster wall.**



Inside mount Cord Bracket

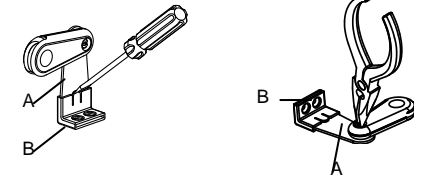


Outside Mount Cord Bracket



Remove Cord Bracket

- Use screwdriver to break apart cord bracket base (A and B)
- Use plier to remove cord bracket from cord tensioner



Note

- Keep away from heat, sparks and open flame.
- Larger windows may require two people to install.
- Proper In the process of installation, must support the shade firmly to avoid it fall down too quick to damage the people or itself.
- Operate shade only by pulling the cord.
- To ensure child safety, install cord cleat and tighten up any loose cords after the shade is installed

Cleaning

Routine cleaning helps maintain the beauty of your shade. Clean the shade with soft brush low suction hand-held vacuum. For more thorough cleaning, use ultrasonic cleaner or dab stain with damp cloth with warm water and mild solution. Head rail should never be immersed in liquid.

Getting Started

Remove shade from package. Save packaging until shade is installed and working to your satisfaction.

Tools:

- Power drill
- Tape measure
- Screwdriver
- Level
- Pencil



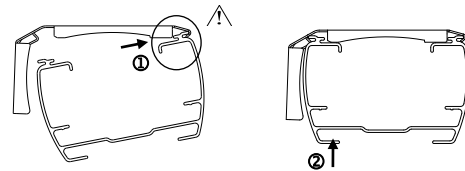
Installation Screws

| Surface | Fastener |
|-----------------|--|
| Wood | #8 1 1/4" Screws (Provided) |
| | #6 3/4" screw |
| Drywall/Plaster | Wall Anchors, Expansion Bolts (Not Provided) |
| Metal | Sheet Metal Screws (Not Provided) |

Step 2: Shade Installation

- Position head rail at an angle so that it is hooked to the front of the bracket. Then push it upward to snap into the bracket.

⚠ For proper installation, start with attaching the front rail to the bracket.

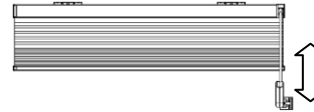


Step 3: Cord Bracket Installation

- Cord should be tightened before bracket is mounted.
- Use #6 3/4" screw for both inside & outside mount. Tighten screw firmly on the wall.
- Please refer to Figure 1 or 2 for inside mount instruction. For shallow depth windows, we recommend Fig. 1. Refer to Fig. 3 for outside mount.

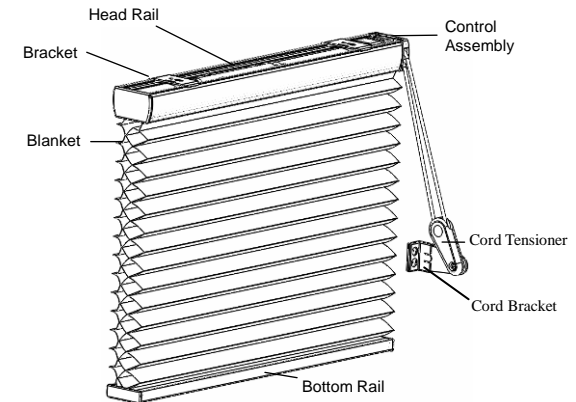
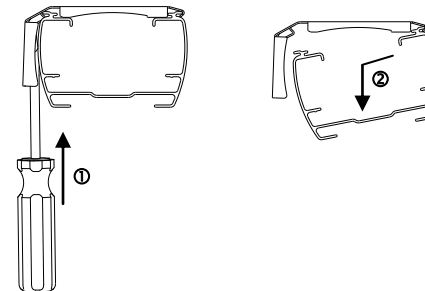
Step 4: Shade Operation

- Pull cord to operate shade. **Cord bracket must be fully tightened prior to operating the shade.**



Remove the Shade

- Fully raise the shade.
- Gently pry the bracket off the head rail with a flat screwdriver.
- Remove the shade.



Step 1: Bracket Installation