

CORDLESS

Standard

Top Down - Bottom Up



Installation & Care Instructions

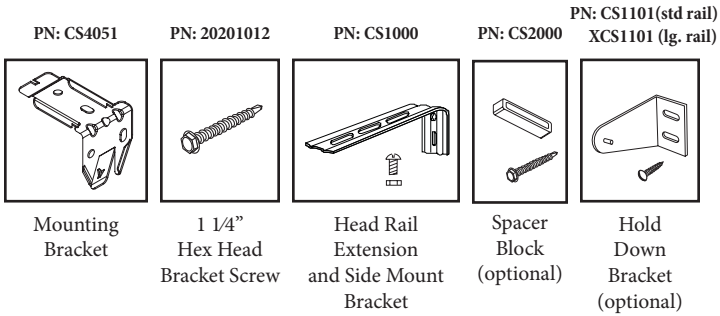
GETTING STARTED

A few simple tools are required:

- Measuring tape
- Power drill, drill bits
- 1/4" Hex head and/or Phillips driver bit
- Pencil



Additional fasteners other than those sent with your shade may be required depending on the mounting surface. Wallboard and plaster require the use of anchors such as expansion or toggle bolts. Brick, tile or stone need special plugs and drill bits. Remember to always pre-drill holes in wood to avoid splitting.



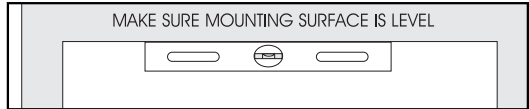
STEP 1: BRACKET INSTALLATION

Shades are shipped with the required number of brackets for proper installation. End brackets should be located approximately 3" from either end. Depending on the width of the shade, additional brackets may be necessary, evenly spaced between the two end brackets.

Shade Width	# of Brackets
Up to 40"	2
>40" - 72"	3
>72" - 84"	4
>84" and up	5

Using the installation bracket as a template, measure to the edge of the bracket and mark the hole locations with a pencil for drilling.

Brackets must be in line and level. Shim brackets on inside mounts if necessary. The headrail must be level for the shade to operate properly.



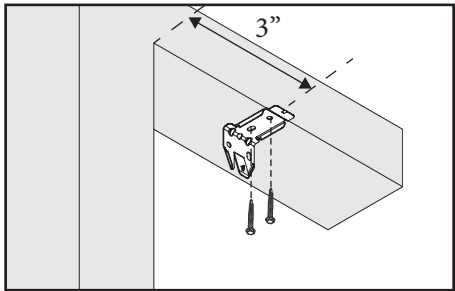
INSIDE MOUNT

The minimum mounting depth for an inside mount is 1".

A minimum of 2 1/4" is needed to fully recess the shade.

Make sure that the brackets are level and aligned.

Attach using two screws.



Inside Mount

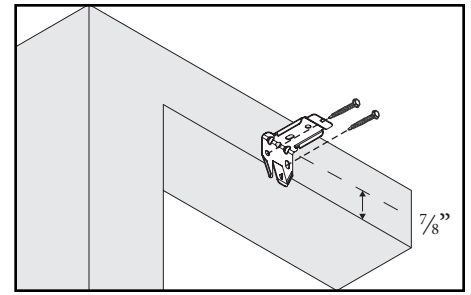
Shallow Mount - Minimum 1" surface
 Flush Mount - Minimum 2 1/4" surface

OUTSIDE MOUNT

The minimum mounting height for outside mounted shades is $\frac{7}{8}$ ".

Make sure that the brackets are level and aligned.

Attach using two screws.



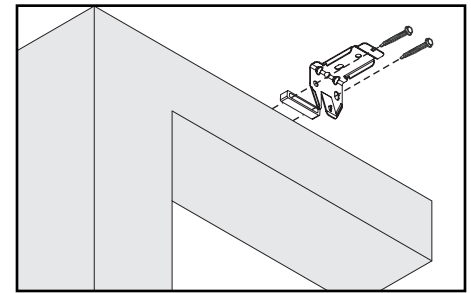
Outside Mount
Minimum $\frac{7}{8}$ " surface

SPACER BLOCKS (OPTIONAL)

Each spacer block projects brackets $\frac{3}{8}$ " away from mounting surface.

Make sure that the brackets are level and aligned.

Attach using two screws. Screws should be long enough to secure the bracket to the mounting surface.



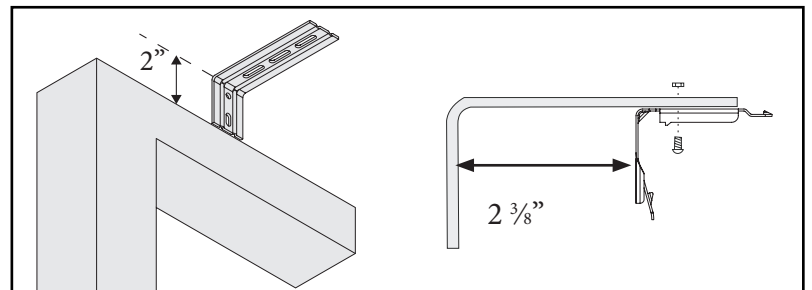
Outside Mount with Spacer Blocks

EXTENSION BRACKETS (OPTIONAL)

Optional extension brackets are used to project the back of the

shading up to $2\frac{3}{8}$ " from the mounting surface.

Attach the mounting bracket to the extension bracket with the nut and bolt provided.



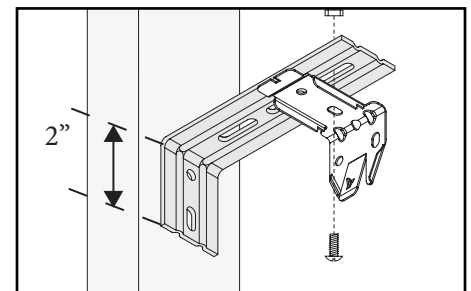
Outside Mount with Extension Brackets
Minimum 2" surface

SIDE MOUNT (OPTIONAL)

Measure from window sill up to desired mounting position on each side of the window frame. Mark position.

Mount side mount brackets on each side of window frame as shown. Make sure to confirm that headrail will sit perfectly level.

Once side mount brackets are installed and properly positioned, attach the mounting brackets using the nuts and bolts provided.



Side Mount
Minimum 2" surface

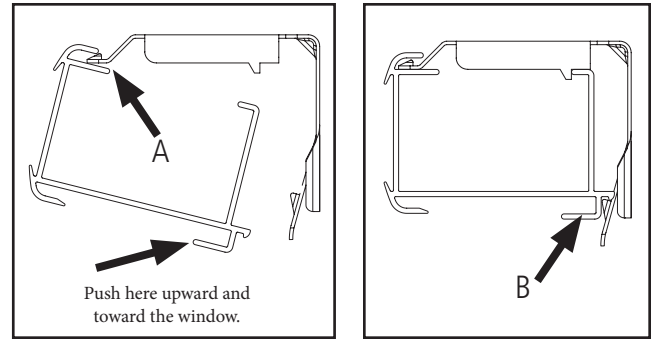
STEP 2: SHADE INSTALLATION

First, lower the bottom and/or middle rails about an inch. This will help keep the fabric from getting caught between the brackets and the headrail.

Position the headrail with the front lip (A) resting on the top hooks of all the brackets.

While holding the fabric out of the way, push the bottom of the head rail upward and toward the window until the groove at the bottom of the head rail snaps into place, (B) as shown.

Make sure that no fabric is pinched between the brackets and the head rail.



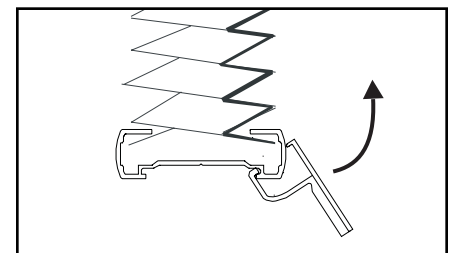
STEP 3: HANDLE INSTALLATION

Using the handle attachment method below is especially important when attaching handles to shades with fabric wrapped rails, and will ensure that the fabric wrap is not damaged.

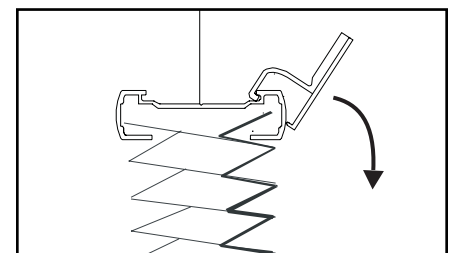
Carefully determine the placement of the handles. For shades 48" wide or under the handle should be placed at the center of the rail. For shades over 48" wide, two handles should be evenly spaced on the rail, as far apart as is comfortable to operate. **Attempting to move handles after they have been installed may cause damage to the fabric on the rails.**

Gently lift the shade fabric out of the way. Hook the handle on the underside of the rail and swing up as shown, until the top of the handle snaps securely in place,

If the shade is a top down - bottom up, repeat the process for the handle on the middle rail.

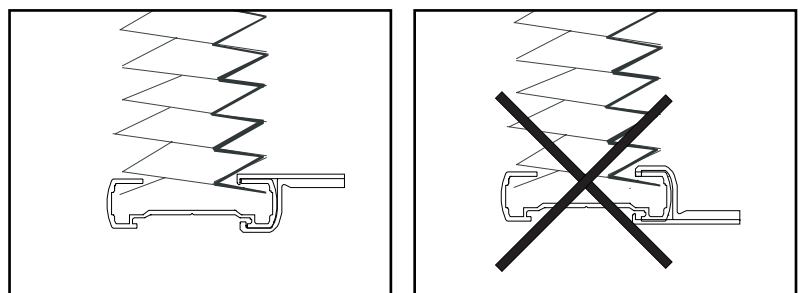


Bottom Rail



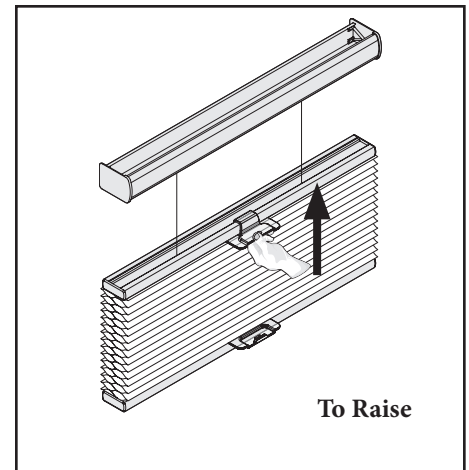
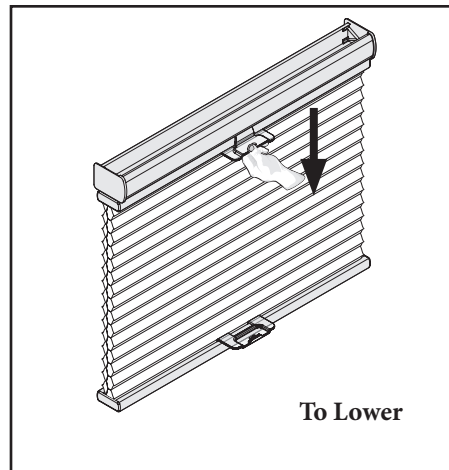
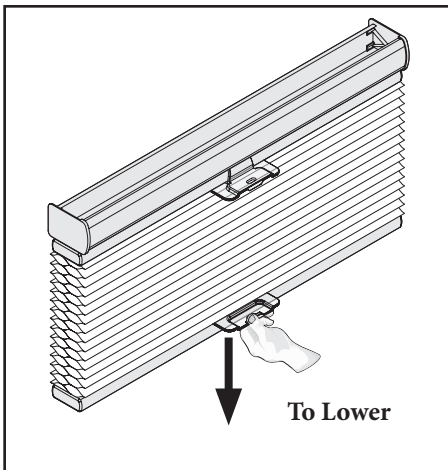
Middle Rail

The handle will sit approximately 1/2" above the window sill when the shade is fully lowered. This allows easy access for grasping the handle when raising the shade.



OPERATION

To lower the shade, pull down on the handle which is secured to the middle or bottom rail. To raise the shade, push the middle and/or bottom rail up. The shade will hold at any position when the middle or bottom rail is released.

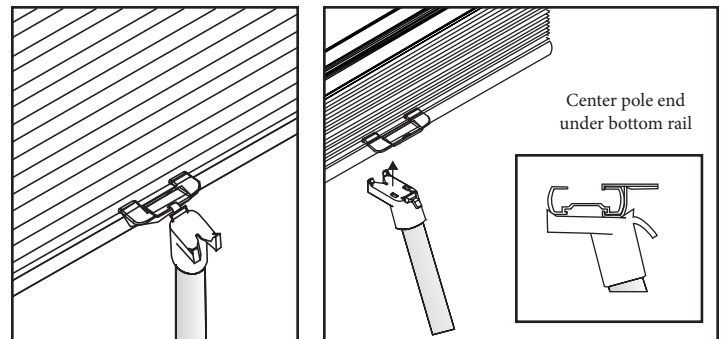


This product should be operated from the center of the middle or bottom rail.

Be sure to raise the shade slowly and steadily to allow the shade enough time to stack evenly.

Use handle when raising and lowering shade for better support and smoother operation.

For out-of-reach operations, an optional extension pole should be used.



Optional Extension Pole

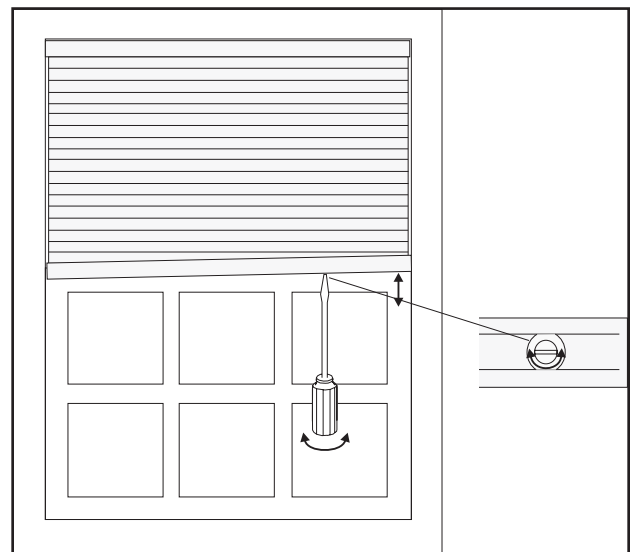
LEVEL THE BOTTOM RAIL (IF NECESSARY)

Cordless shades use a system that allows easy leveling of the bottom rail or middle rail. It is designed to make slight adjustments (less than 1") to level the moving rails of your shade. It is not designed to make length adjustments.

Use a flat head screwdriver or a coin (a quarter works best) to turn the adjustment screw to raise or lower that side of the bottom/middle rail. The adjustment screw is on the underside of the bottom rail and on the top of the middle rail.

One quarter turn of the screw will move the bottom/middle rail up or down approximately 1/4".

Over-turning the adjustment screw (more than 1" of adjustment) can cause the cord to tangle or wedge inside the rail. The screw should turn easily - DO NOT FORCE.

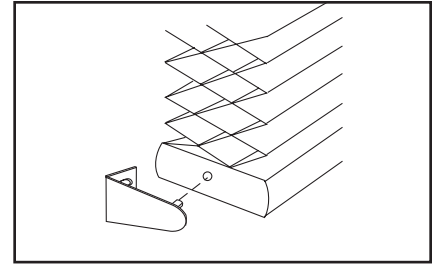


HOLD DOWN BRACKETS (OPTIONAL)

Optional hold down brackets are mounted with the supplied screws.

With the shade at its proper drop, place the pin of each hold down into the hole in each end cap and mark the screw holes. Make sure the pins are level and aligned.

Raise the shade, then screw the hold down bracket into the mounting surface. Slightly flex the hold down brackets to insert the pins into the endcaps.



Hold Down Bracket

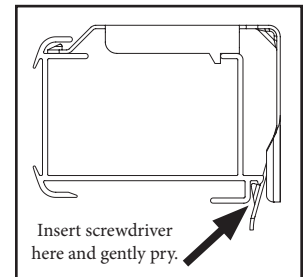
REMOVING THE SHADE

If you need to remove your shade, follow the instructions below.

To remove a shade, insert a screwdriver between the headrail and the bottom back of the bracket (tab which extends out slightly from each bracket).

Gently pry the screwdriver to release the bracket from the head rail. Take care not to damage the painted finish of the head rail.

As you release the brackets, support the head rail to keep it from falling.



CLEANING AND CARE

The shade fabric is easy to care for. Regular dusting with a feather duster or vacuum cleaner brush is recommended. Most stains can be blotted with a damp sponge and mild detergent. Before using anything stronger than mild detergent and lukewarm water, test an unobtrusive corner of the shade. If you have any questions, call your dealer for advice.

TROUBLE SHOOTING

Problem: Shade will not stay down.

Repair: Since the shade was fabricated primarily in the closed position, the fabric may want to spring up.

With clean hands, gently pull down on a section of cells to relax the pleats (see diagram to the right). Repeat with another section of cells until the fabric is sufficiently relaxed. Do not tightly stack the shade for 24 hours.

Problem: Fabric billows out when shade is raised.

Repair: Fabric can take a set when stretched out for extended periods of time.

Raise the shade very slowly to allow the retraction mechanism to overcome the force of the stretched fabric.

If you have any questions, call your dealer for advice.

